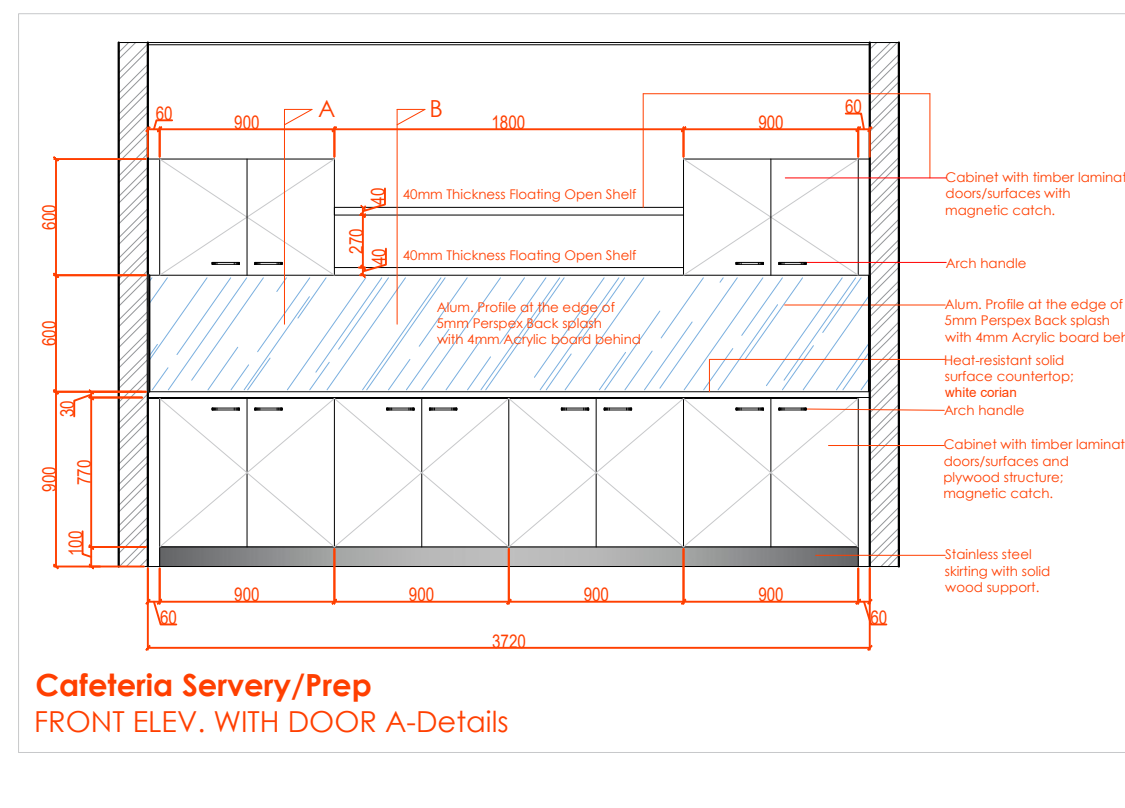
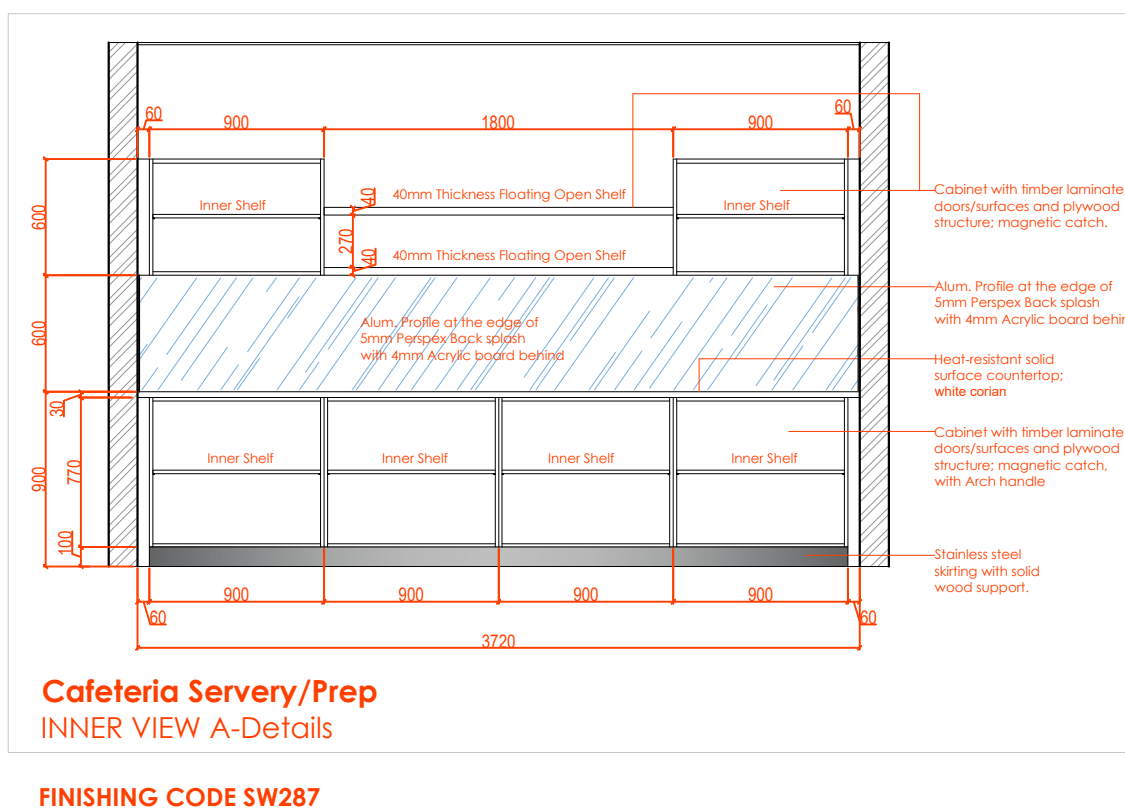
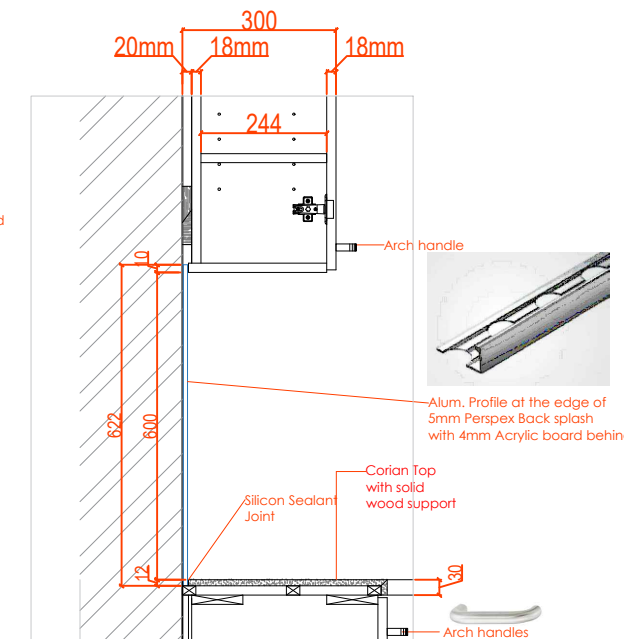
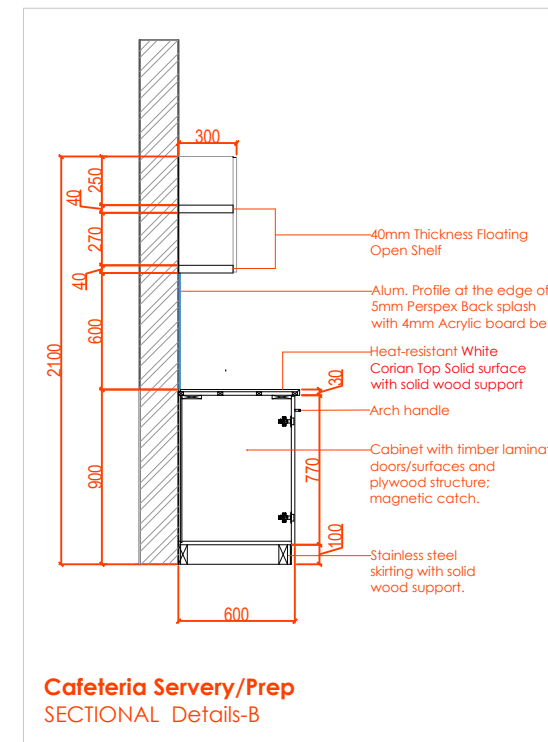
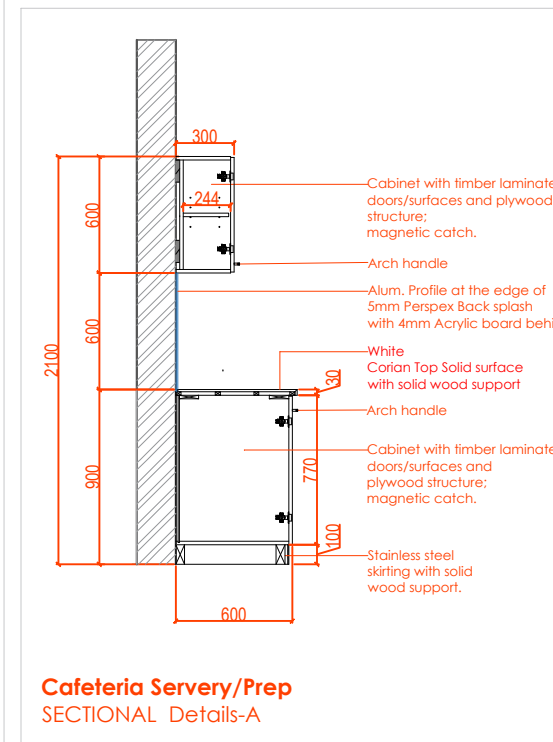
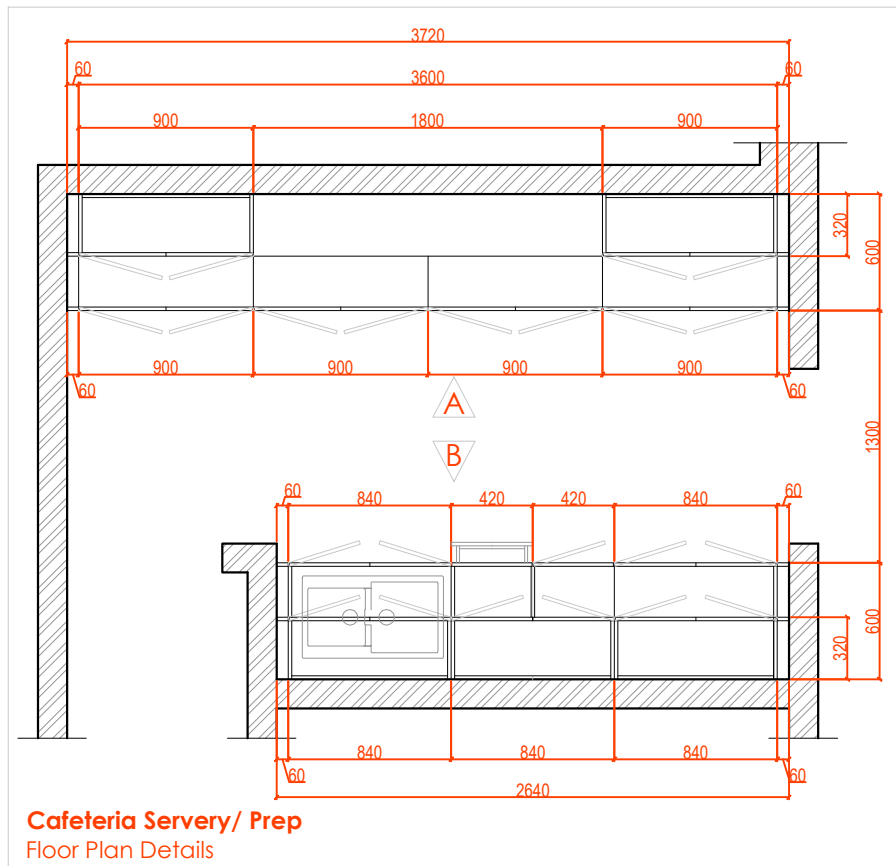


Project
SHELL CW866175
SHELL PROJECT
EAGLE -ALPHA 1 TOWER

Owner

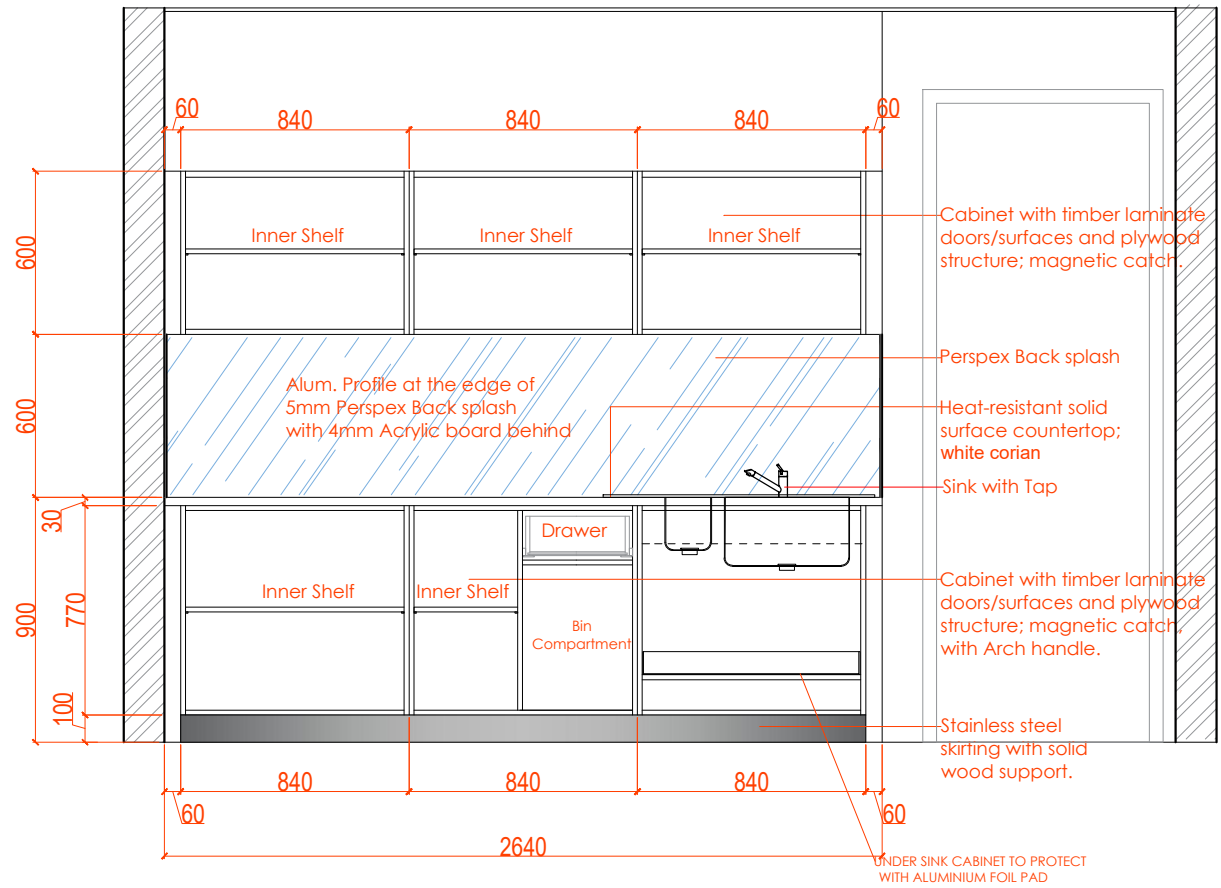
Date	Description
DSD-V1-ID-16/5/2024 - REV1	
DSD-V1-ID-10/6/2024 - REV 2	
DSD-V1-ID-26/6/2024 - REV 3	
DSD-V1-ID-03/7/2024 - REV 4	



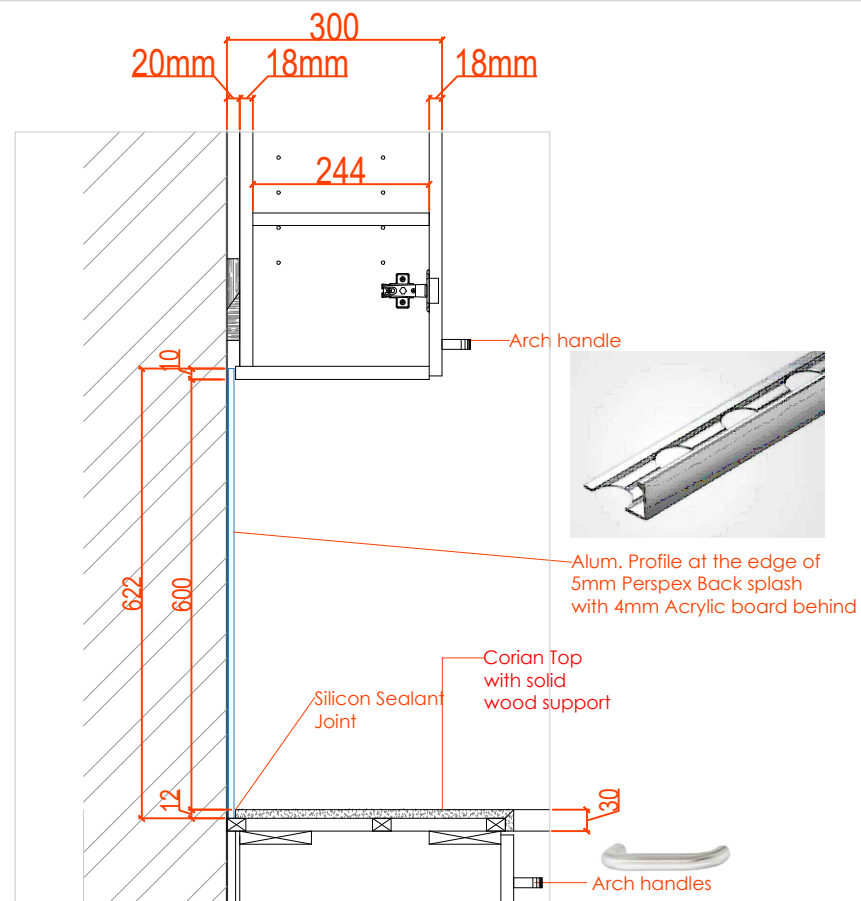
FOR APPROVAL

Project No. : ---
Scale : N/A
Drawn by : OBJ
Checked : OBJ
Cad File : CAD_FILE

Sheet title
Cafeteria Servery/Prep. A view
Floor Plan ,Elevation and Side Details



Cafeteria Servery/Prep
INNER VIEW B-Details



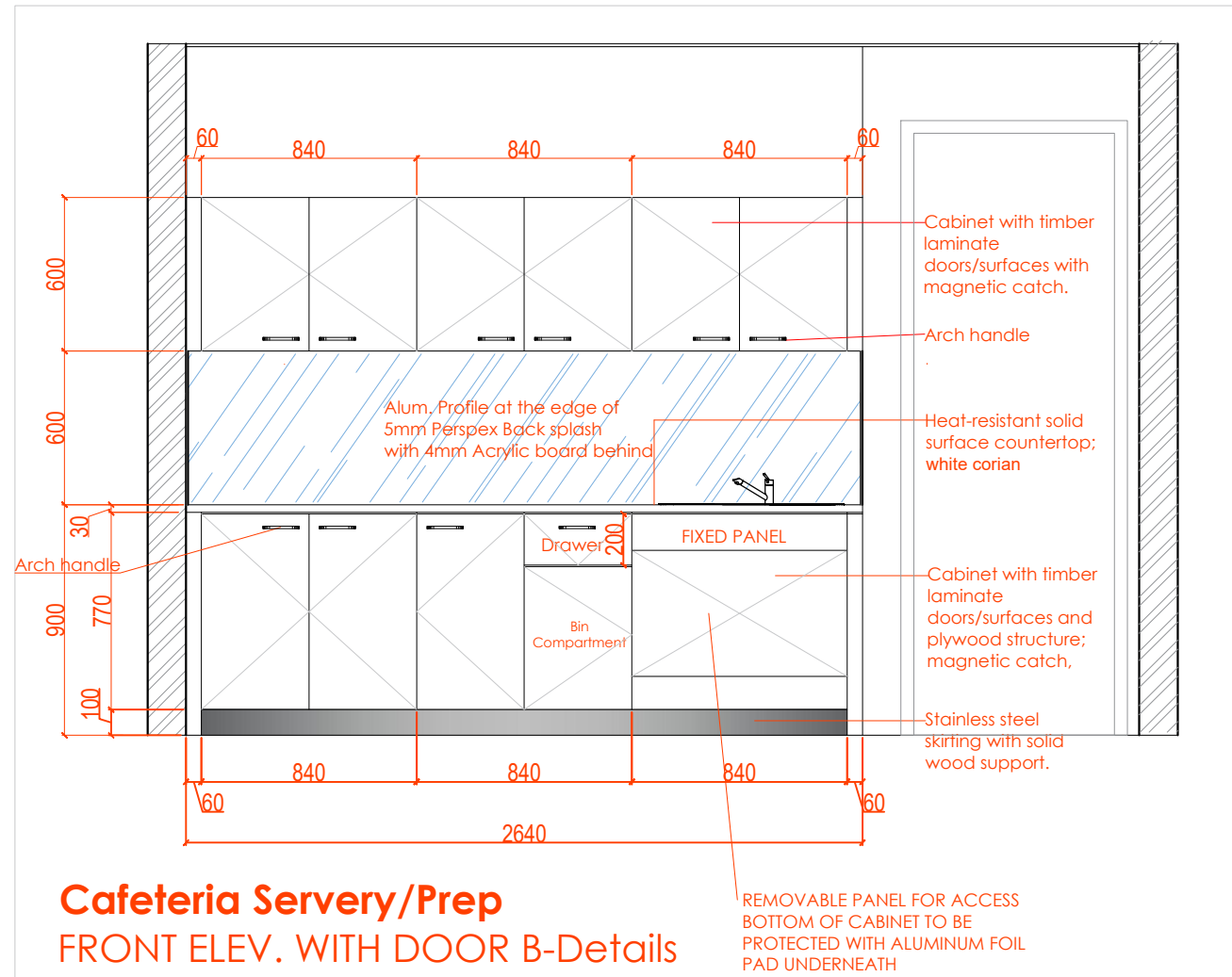
Cafeteria Servery/Prep. (Ground Floor)
(excluding appliances)

Base cabinet with white corian worktop, Wall cabinet, Wall shelf, in laminate finish (Swiss krono Moor Oak) and Perspex Backsplash and stainless steel skirting.

ITEM 6 and 7 ON THE LIST
QTY 1

Cafeteria Servery/Prep

FINISHING CODE SW287



Cafeteria Servery/Prep
FRONT ELEV. WITH DOOR B-Details

REMOVABLE PANEL FOR ACCESS
BOTTOM OF CABINET TO BE
PROTECTED WITH ALUMINIUM FOIL
PAD UNDERNEATH

www.wood-styles.com

Copyright of designs shown herein is retained by this office.
Authority is required for any reproduction.
© Copyright Wood-styles Ltd.

Nigeria, Lagos +234 80 9037 9888
Email: info@wood-styles.com

Project
SHELL CW866175
SHELL PROJECT
EAGLE -ALPHA 1 TOWER

Owner

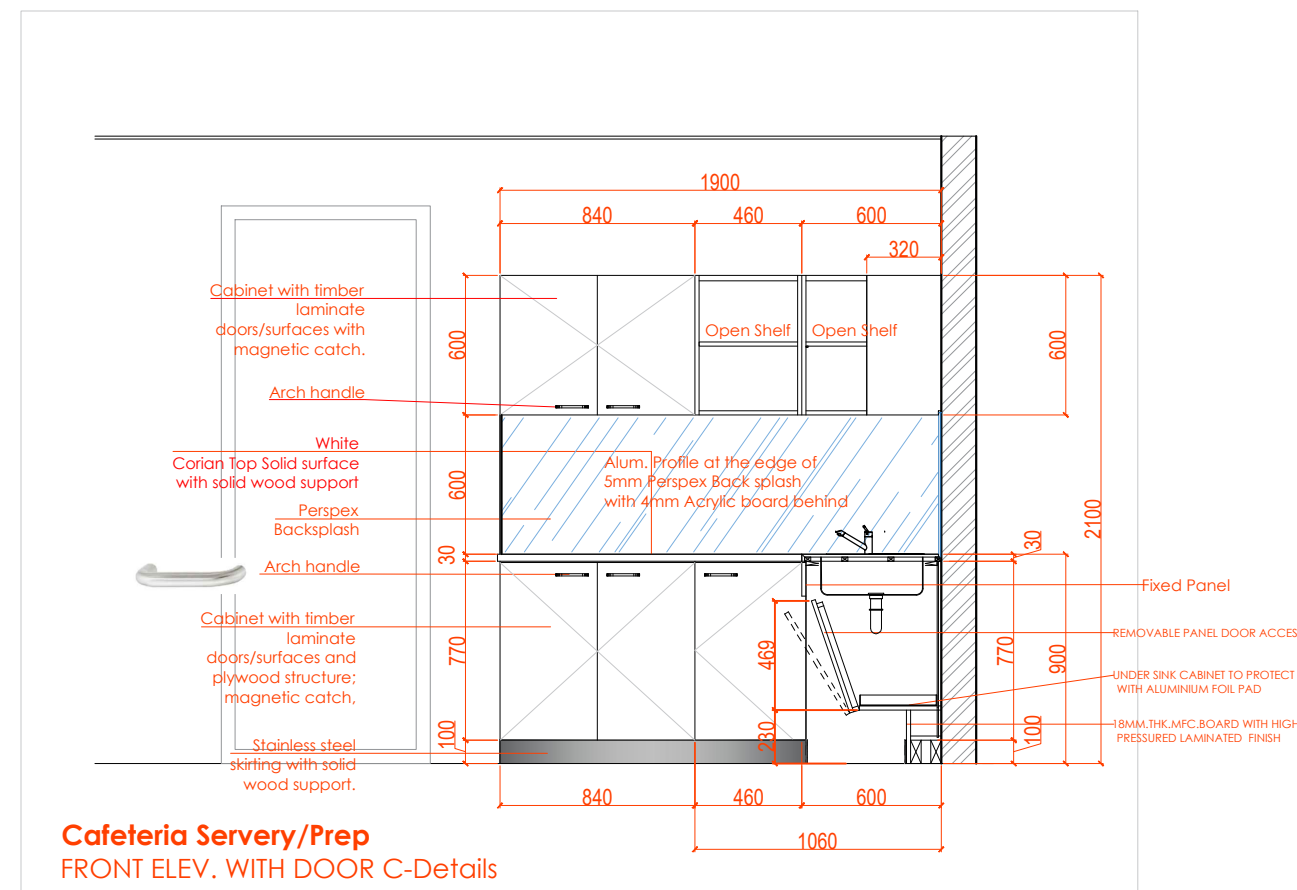
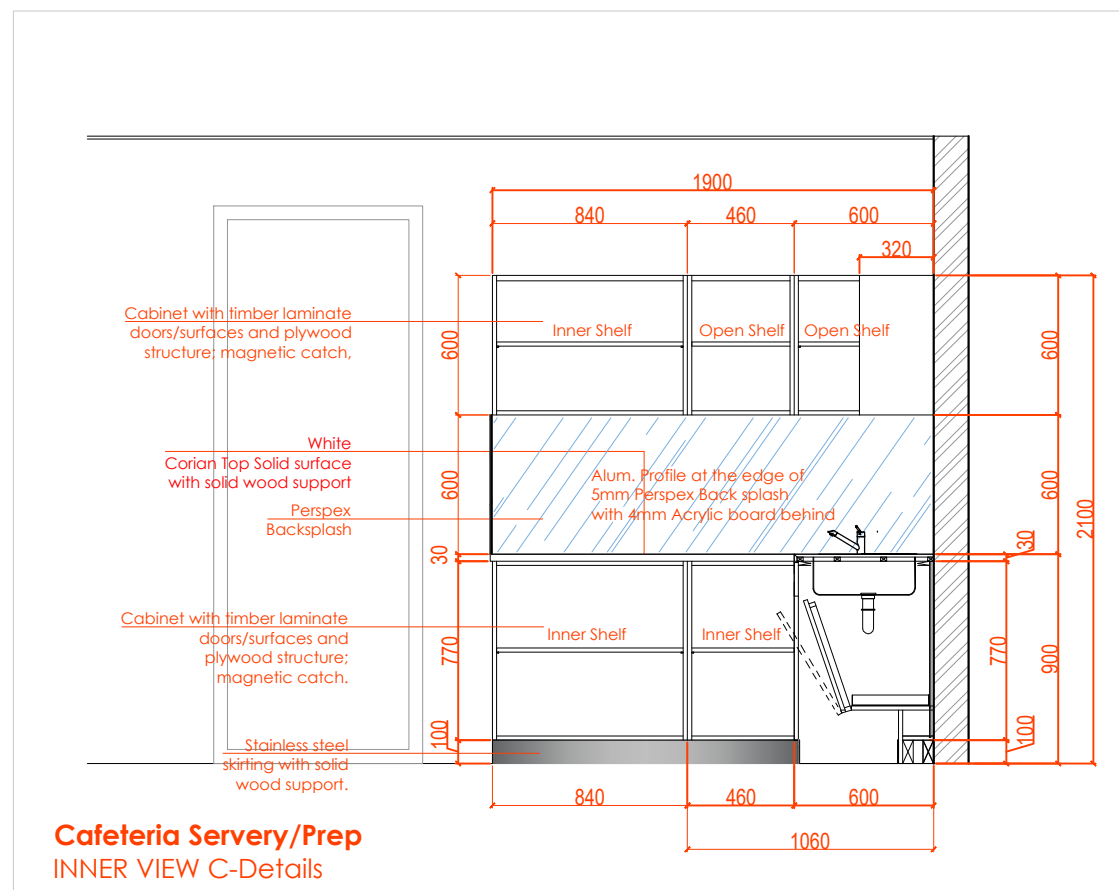
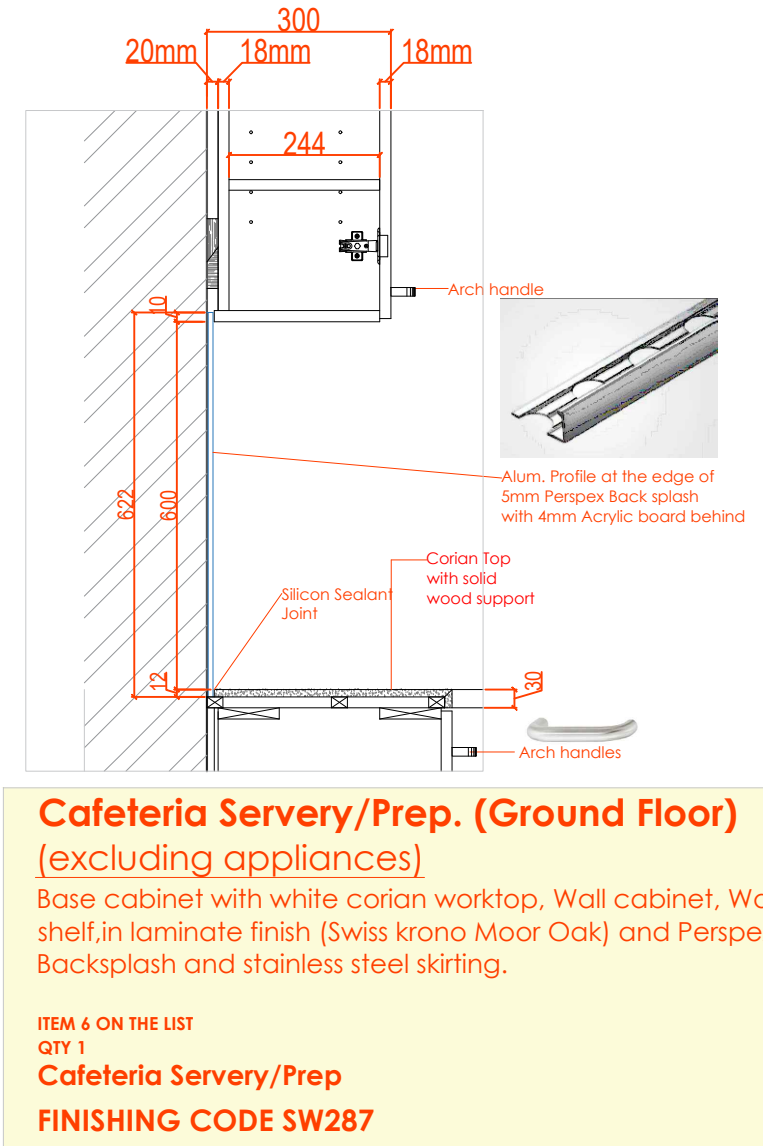
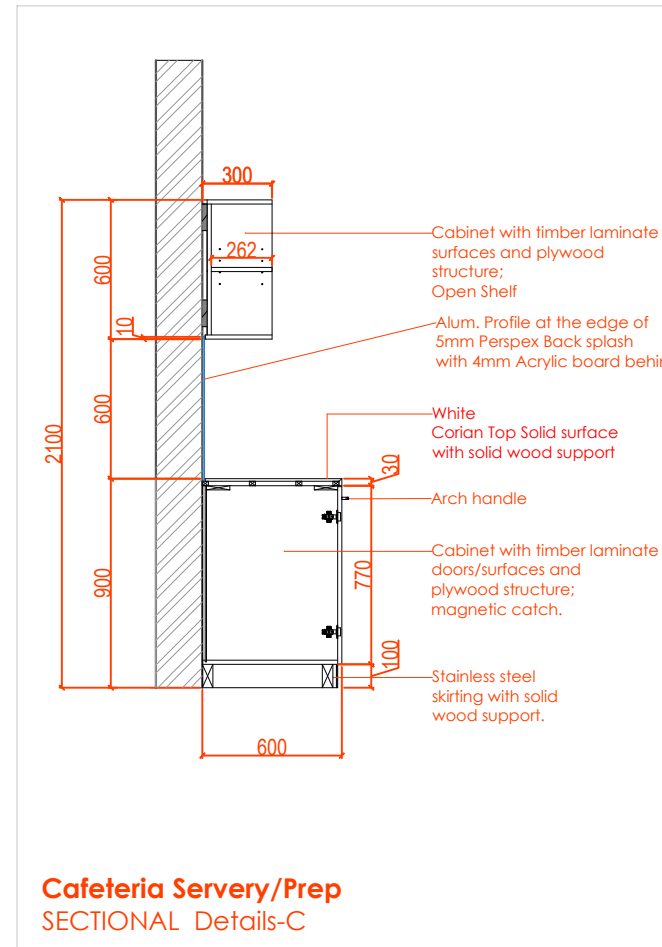
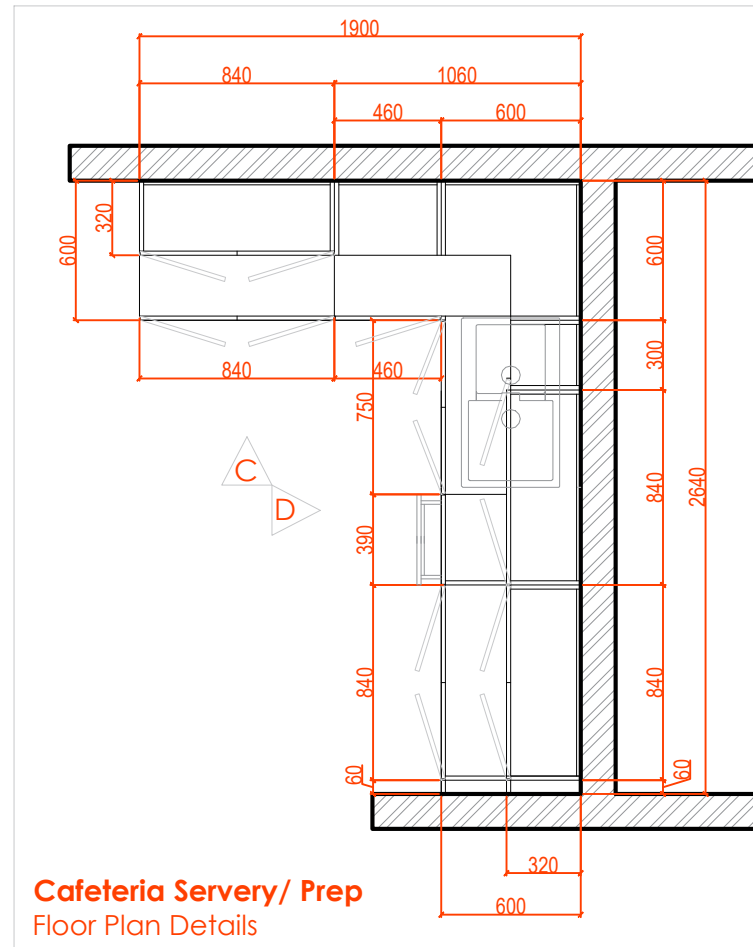
Date	Description
DSD-V1-ID-16/5/2024	- REV1
DSD-V1-ID-10/6/2024	- REV 2
DSD-V1-ID-26/6/2024	- REV 3
DSD-V1-ID-03/7/2024	- REV 4

FOR APPROVAL

Project No. : --
Scale : N/A
Drawn by : OBJ
Checked : OBJ
Cad File : CAD_FILE

Sheet title
Cafeteria Servery/Prep. B view
Floor Plan ,Elevation and Side Details

Dwg No. : WS-DS-SD-SH-006
No. : SHEET 2



www.wood-styles.com

Copyright of designs shown herein is retained by this office. Authority is required for any reproduction. © Copyright Wood-styles Ltd.

Nigeria, Lagos +234 80 9037 9888
Email: info@wood-styles.com

Project
SHELL CW866175
SHELL PROJECT
EAGLE -ALPHA 1 TOWER

Owner

Date	Description
DSD-V1-ID-16/5/2024 - REV1	
DSD-V1-ID-10/6/2024 - REV 2	
DSD-V1-ID-26/6/2024 - REV 3	
DSD-V1-ID-03/7/2024 - REV 4	

FOR APPROVAL

Project No. : ---
Scale : N/A
Drawn by : OBJ
Checked : OBJ
Cad File : CAD_FILE

Sheet title
Cafeteria Servery/Prep. C view
Floor Plan ,Elevation and Side Details

Dwg No. : W5-DS-SD-SH-006
No. : SHEET 3

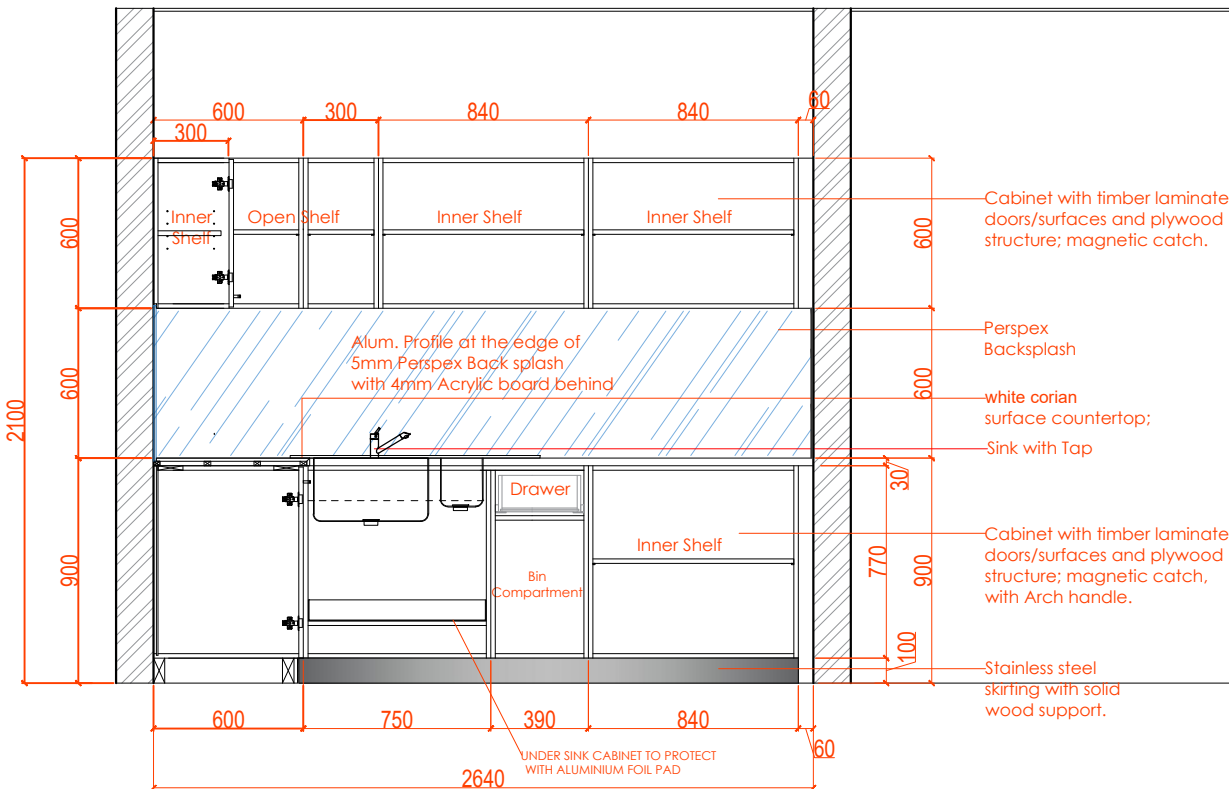
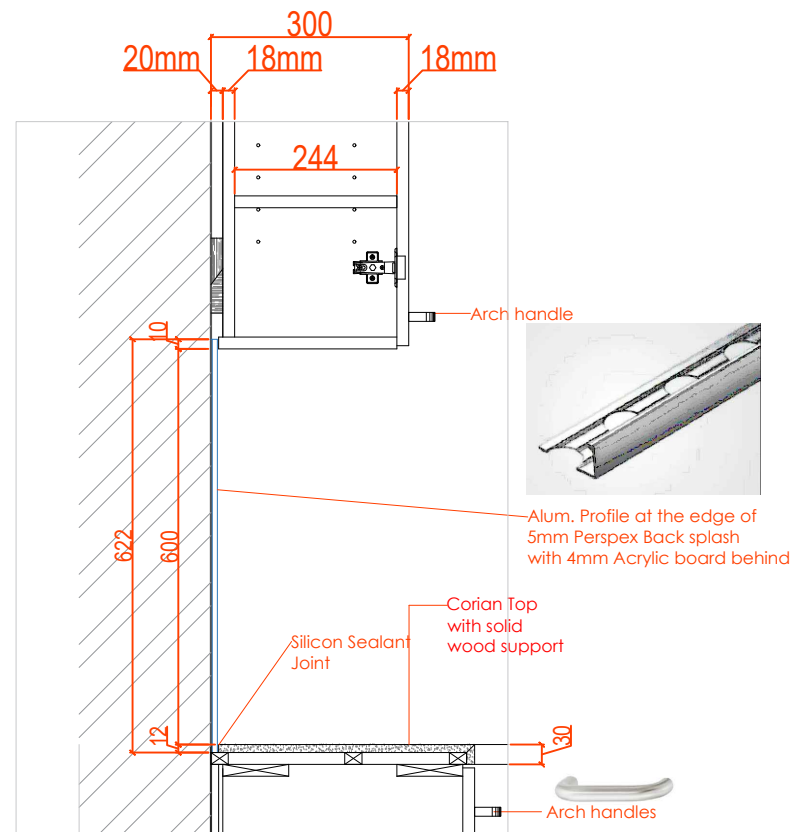
Cafeteria Servery/Prep. (excluding appliances)

Base cabinet with white corian worktop, Wall cabinet, Wall shelf, in laminate finish (Swiss krono Moor Oak) and Perspex Backsplash and stainless steel skirting.

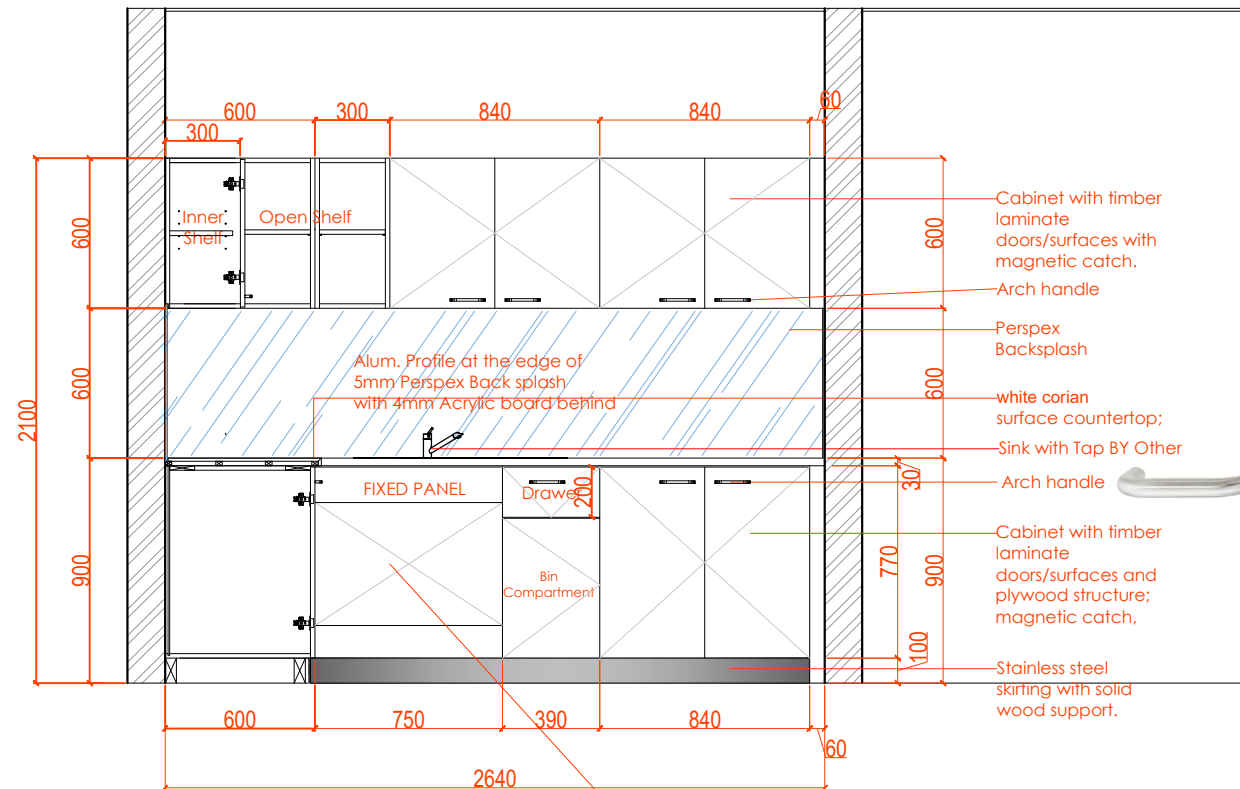
ITEM 6 ON THE LIST
QTY 1

Cafeteria Servery/Prep

FINISHING CODE SW287



Cafeteria Servery/Prep FRONT ELEV. WITH DOOR D-Details



www.wood-styles.com

Copyright of designs shown herein is retained by this office. Authority is required for any reproduction. © Copyright Wood-styles Ltd.

Nigeria, Lagos +234 80 9037 9888

Email: info@wood-styles.com

Project
SHELL CW866175
SHELL PROJECT
EAGLE -ALPHA 1 TOWER

Owner

Date	Description
DSD-V1-ID-16/5/2024	- REV1
DSD-V1-ID-10/6/2024	- REV 2
DSD-V1-ID-26/6/2024	- REV 3
DSD-V1-ID-03/7/2024	- REV 4

FOR APPROVAL

Project No. : ---
Scale : N/A
Drawn by : OBJ
Checked : OBJ
Cad File : CAD_FILE

Sheet title
Cafeteria Servery/Prep. D view
Floor Plan ,Elevation and Side Details

Dwg No. : WS-DS-SD-SH-006
No. : SHEET 4